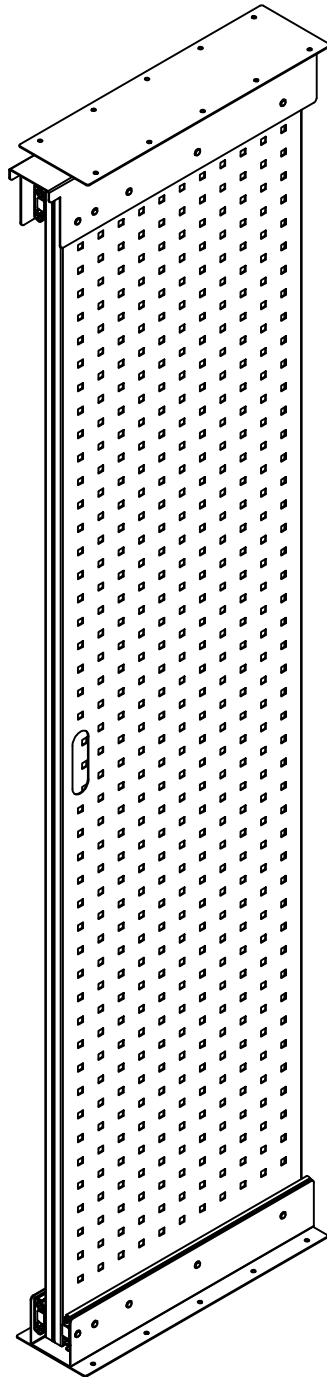
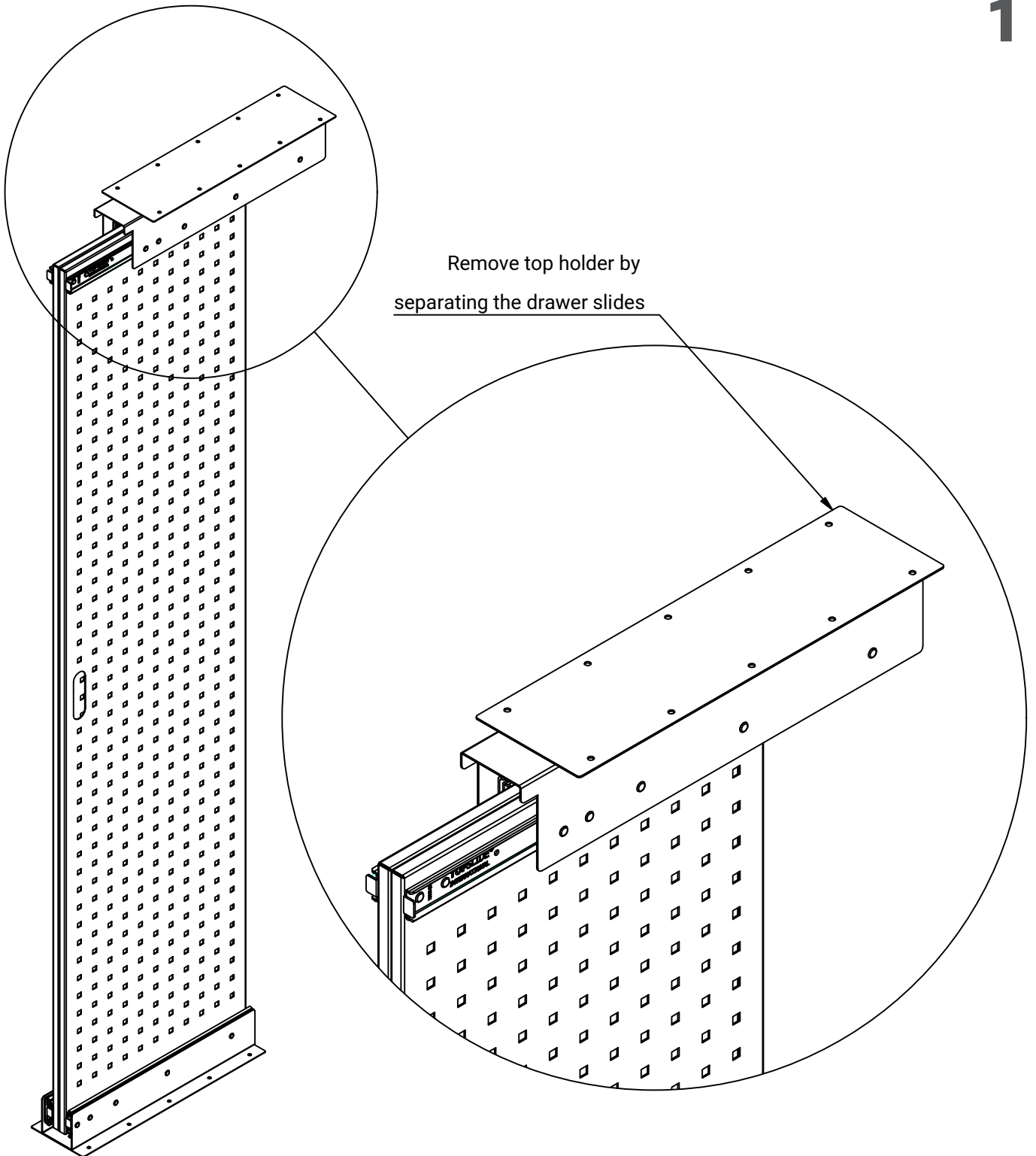
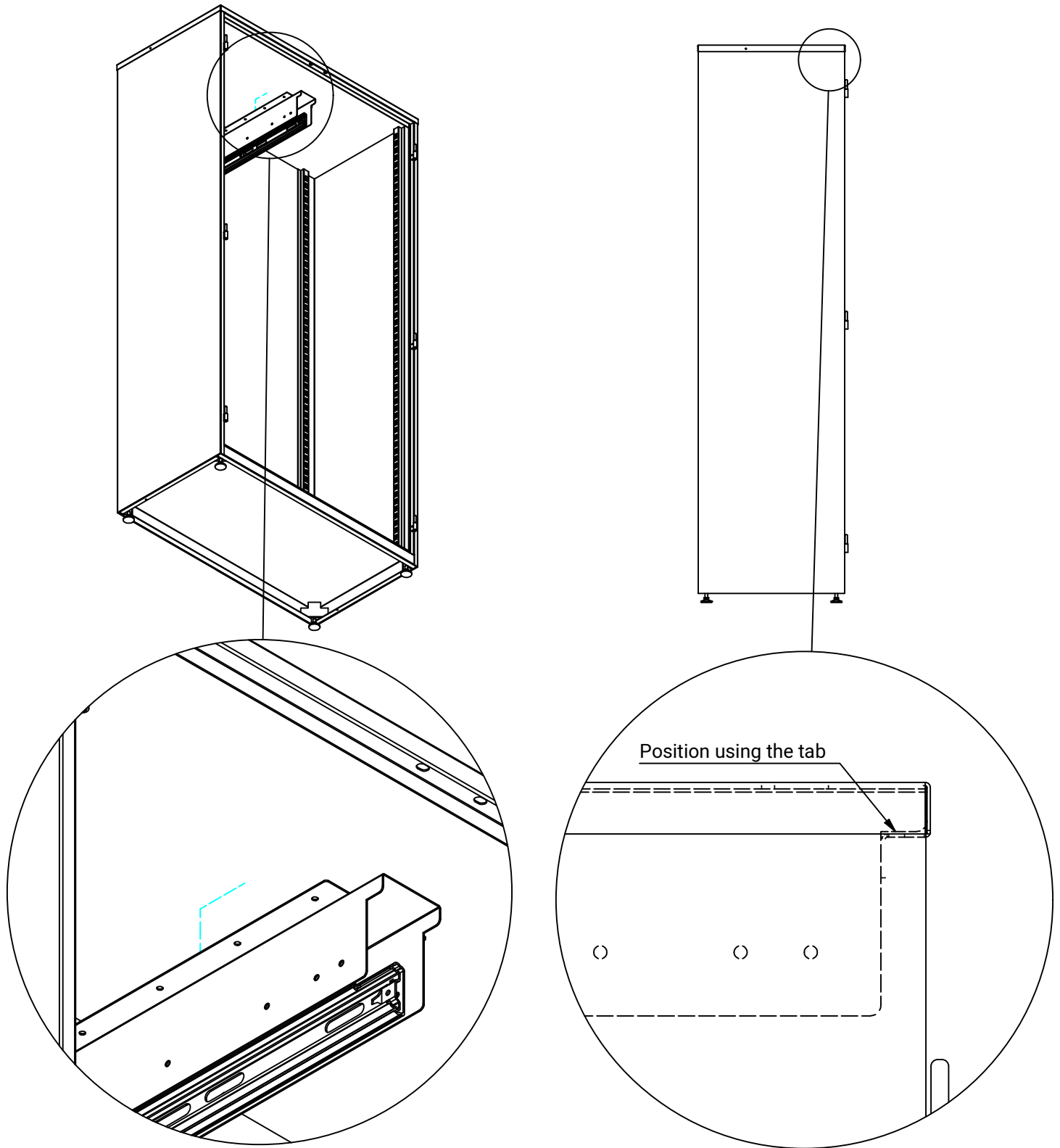


## Extendable panel for cabinet

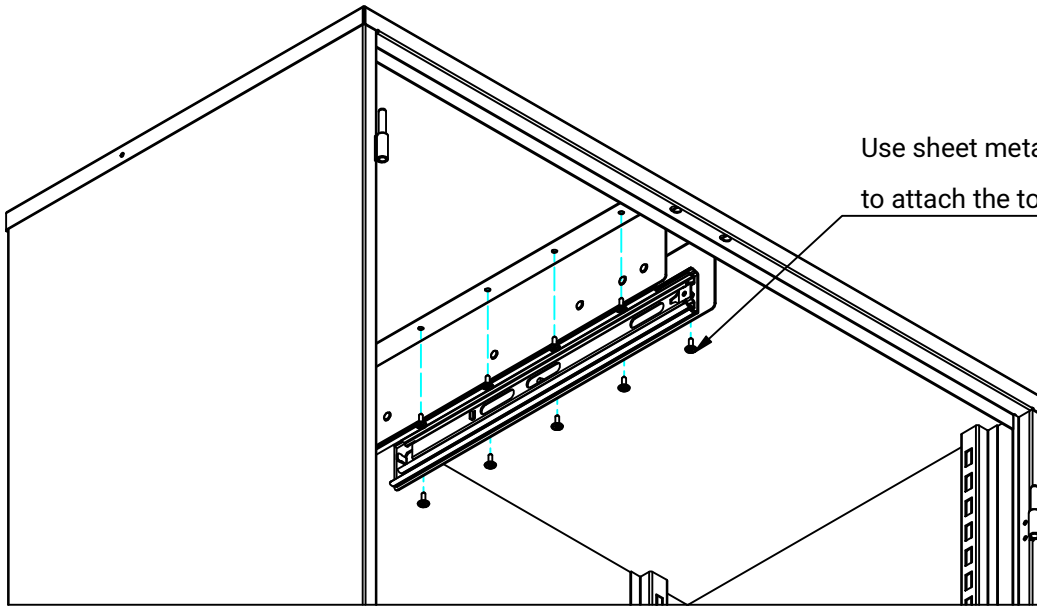




Place the top holder on the roof of the cabinet

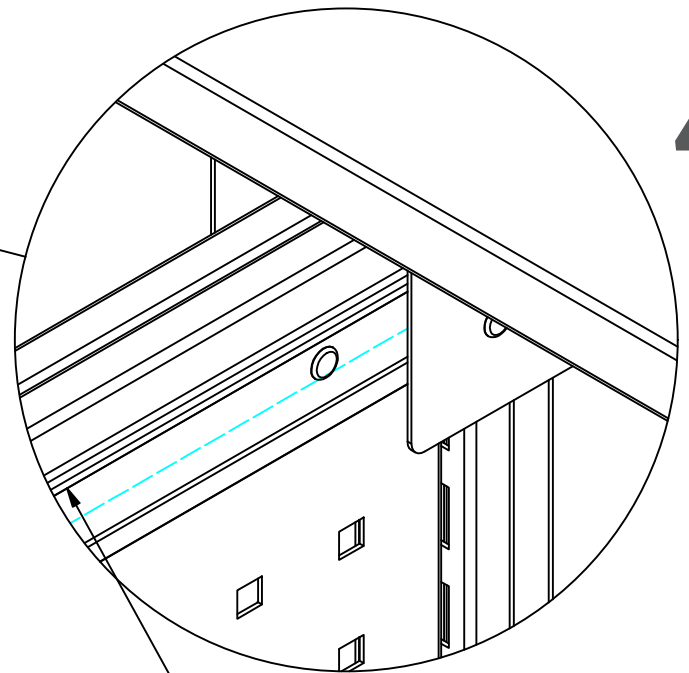
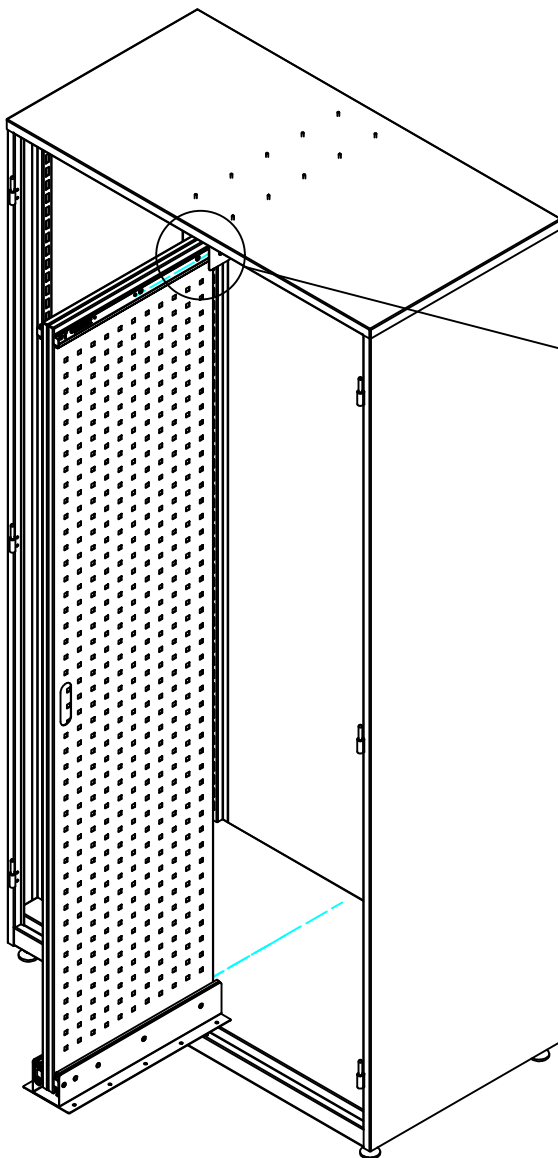


3

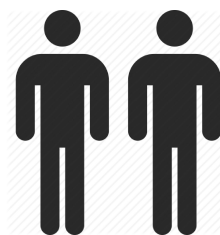


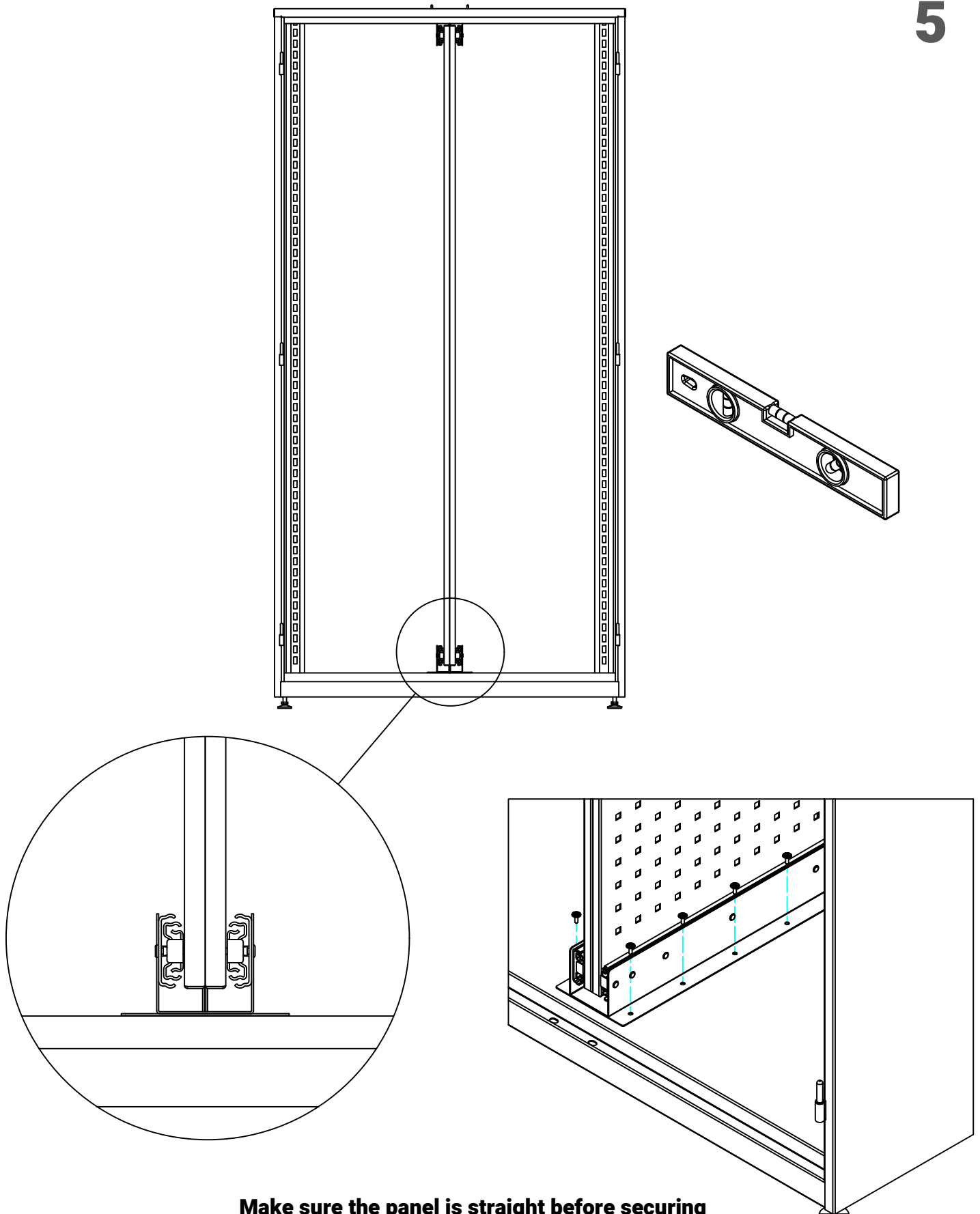
Use sheet metal screws (10x)  
to attach the top holder to the roof

4



Insert the panel into the drawer slides.  
This requires two people.

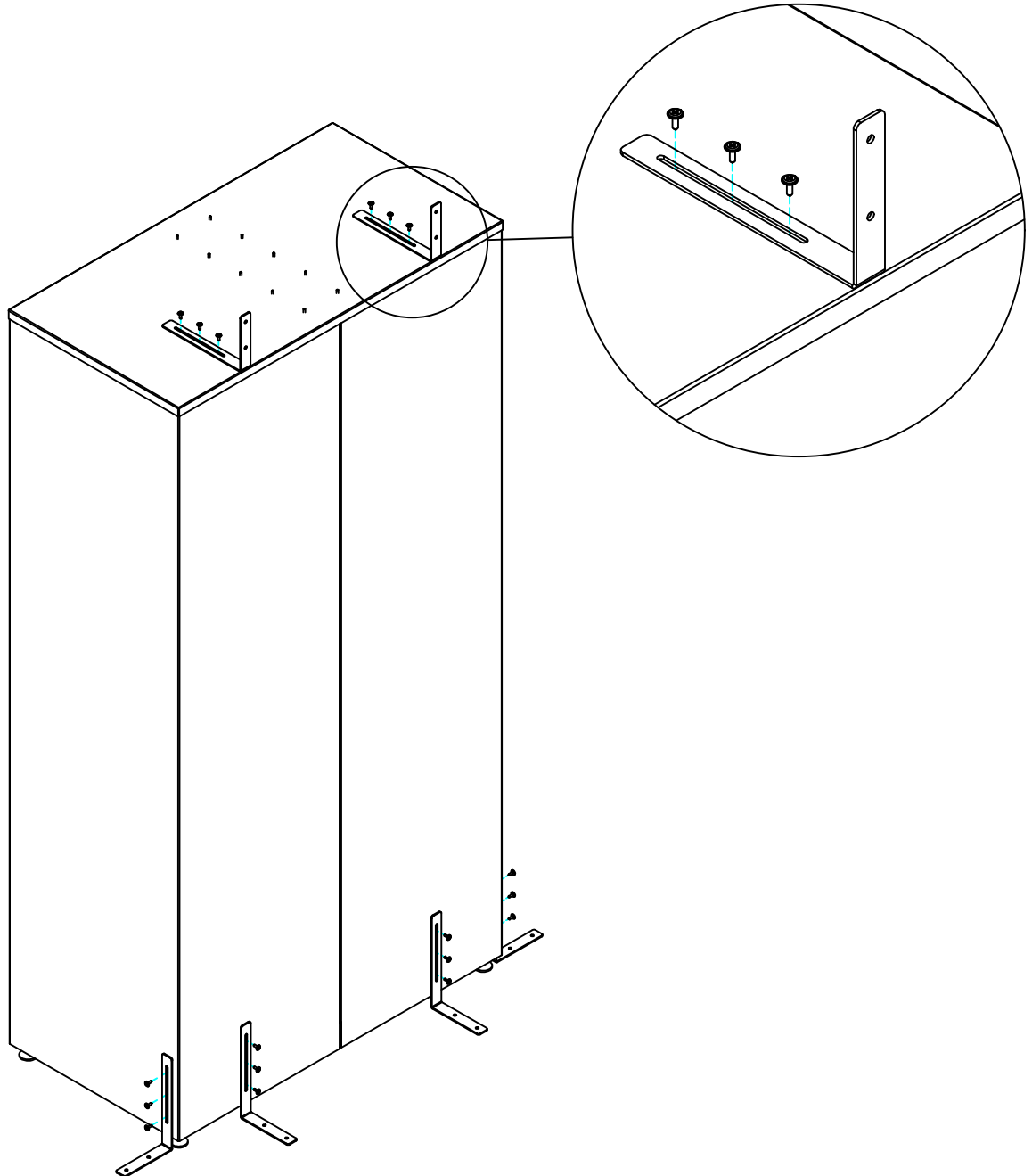




**Make sure the panel is straight before securing  
the bottom holder with sheet metal screws (10x)**



**The cabinet must be secured to floor/wall using the attached L-brackets.**  
**Below image shows possible attachment points. 2 brackets/cabinet.**



**Attention!**

**Maximum load per panel is 50 kg.**

**Do not pull out all three panels at the same time!**

