

M10x35

4x



M10

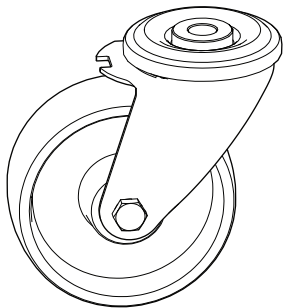
4x



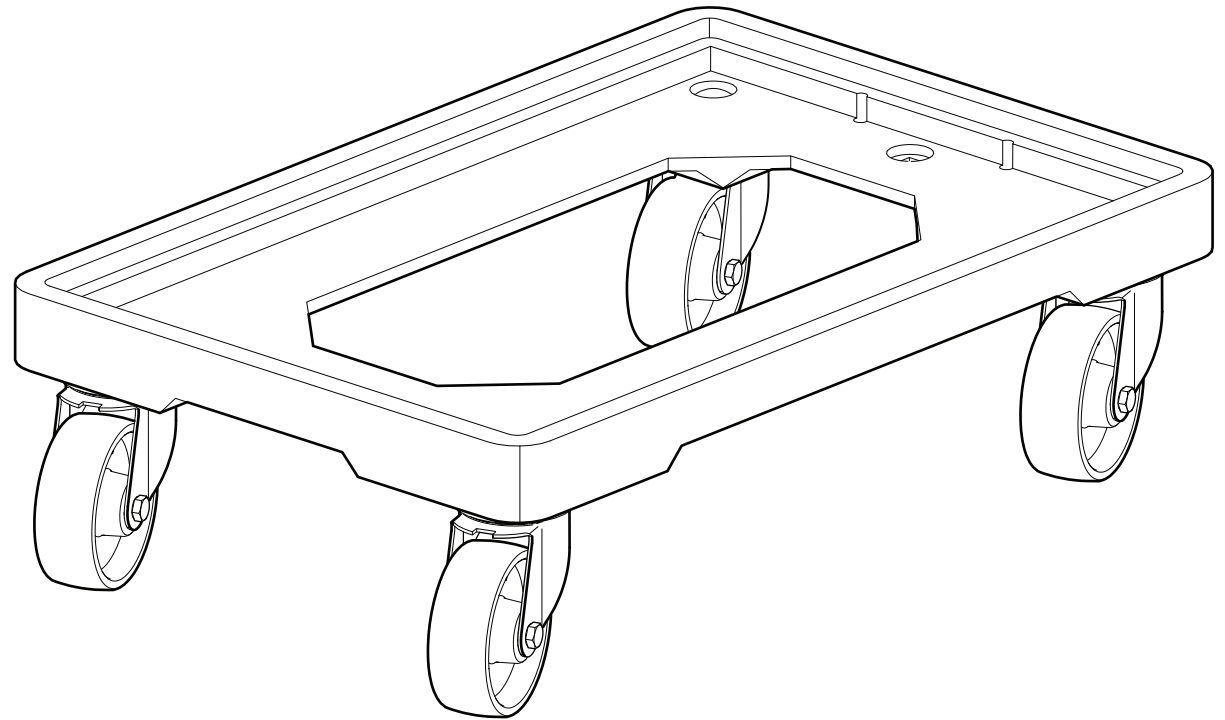
4x



4x



4x



1

