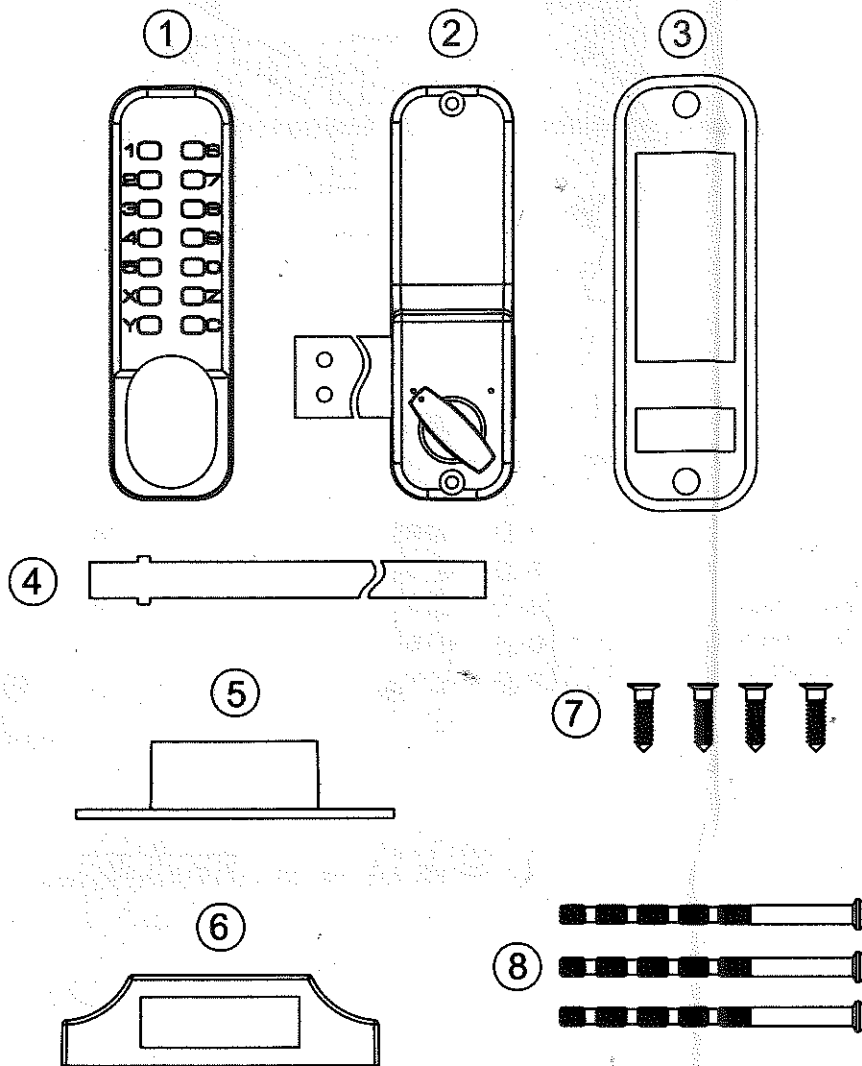


EASY CODE DIGITAL LOCK DL3829

Installation and Instruction Manual

LIST OF PARTS

- 1) Keyboard
- 2) Internal Block-Bolt is packed separately
- 3) Neoprene Seals (2 Pieces)
- 4) Spindle
- 5) Mortice Keeper
- 6) Surface Keeper
- 7) Wood screws (4 pieces) for fixing keeper
- 8) Fixing Bolt (3 in total, 1 Spare)



BEFORE INSTALLATION, PLEASE

- 1) Ensure all parts work properly
 - 2) Choose and set a code following the instructions "Setting/Changing the Entry Code". All or part of the push-buttons can be chosen with no order in the numbering is requested. Codes with 4 digits are recommended as it provides the highest security.
 - 3) After setting code, press push button "C" and enter the set code, the handle should be easily turned for the opening and the closure of the bolt. From inside, the bolt should go in and out freely with the internal button.
 - 4) Only from outside, code is necessary to turn the knob for opening. It is compulsory to re-lock the bolt by turning the knob from outside.
- From inside, the bolt should go in and out freely with the internal button.

Setting/Changing the Entry Code

At the back of the keyboard "Fig. 1a" you can see screw buttons that are elements extending the push buttons of the keyboard.

"Dot" outwards=active push-button (Fig. 1b)

"Dot" inwards=inactive push-button (Fig. 1a)

In order to activate the push-button with the code, press and turn it's element outwards (towards G) with a screwdriver.

To deactivate the push-button, turn the element outward with "Dot" inward (towards F).

Check the code works properly before installing the lock or closing the door.

ALWAYS PRESS KEY 'C' BEFORE ENTERING THE CODE

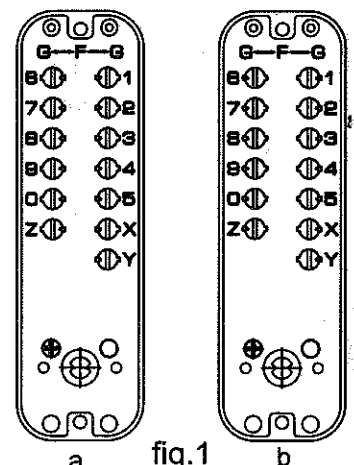


fig.1

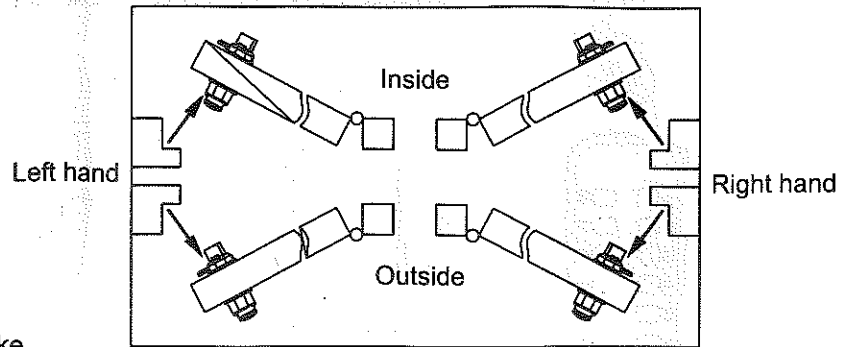
INSTALLATION

A) Determine Door Handing

This diagram helps you to determine the right and left handing refer to the position of the hinges by being outside whether the door opens inward or outward.

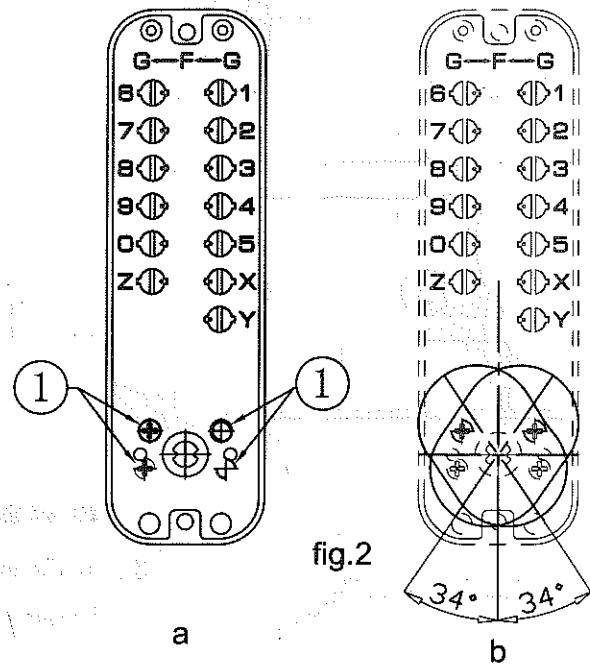
For Door Open **Inward**, use the surface-mounted strike.

For Door Open **Outward**, use the flush-mounted strike.



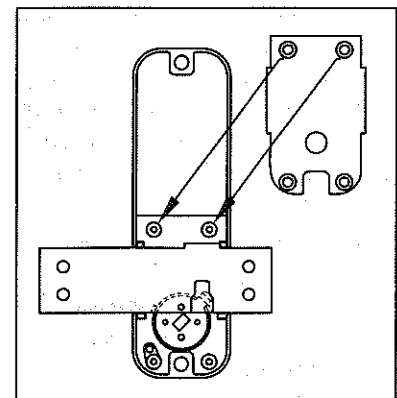
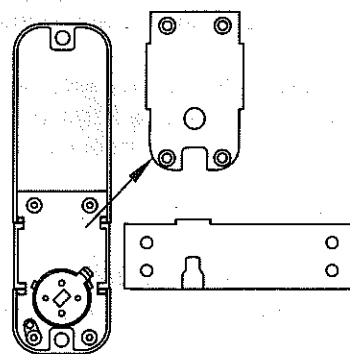
B) Change To Opposite Handed Door

Digital door lock is preset with 'For Right Handed Door' or 'For Left Handed Door' as marked on packaging. In case you want to change to opposite handed door, clear the code number and remove label no 1 as Fig 2a. You will see a cross head screw, take it out by screw driver then turn the knob 34° as Fig 2b to the same direction as your new handing. Another cross head screw will appear in the same hole, take it out by screw driver from the hole. Then put both cross head screws to the parallel hole on opposite side one by one and ensure the screws are fastened very tight.



OR ALTERNATIVELY BY ALTERING THE DIRECTION OF THE BOLT...

- Remove the 4 screws and the plate at the back of the internal block
- Remove the bolt and reverse it (on the left side or on the right side, the drive sheave down)
- Place the 4 washers on the 'nut' parts
- Screw the plate back to its position



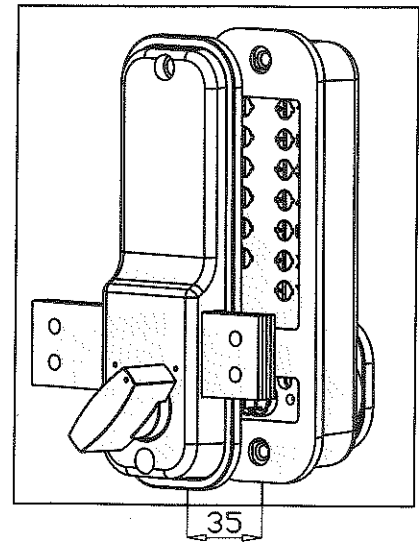
Right hand assembly

C) Positioning The Lock

IMPORTANT: Determine which strike (Flush-Mounted or Surface-Mounted) to be used and mark it's position on the frame before drilling the door.

CAUTION: The distance between the bolt and middle of the strike hole should be 35mm

Present the internal block with the handle in vertical position and hold it on the door with an end of the bolt aligned with the frame where the strike will be installed. (see Step E)



Mark the position of the upper mounting hole using the template at the back of the instruction manual and mark the position of the lower mounting hole and the hole for the spindle. Drill 7mm holes for the attachment screws and one 9.5mm hole for the spindle.

D) Fixing the lock

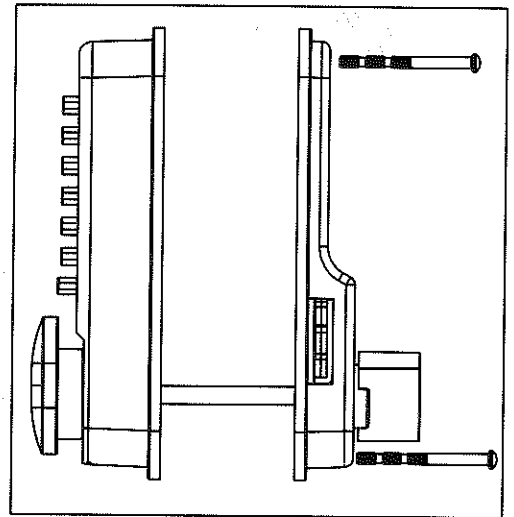
IMPORTANT: Do not close the door before BEING SURE the code works properly.

The spindle is designed for 35 to 65mm thick door.

For door thickness below 50mm, separate a size of 12mm at the end of the spindle.

Cut the end of the attachment screws according to the thickness of the door so that with the flanges the screws hold the lock with three threads.

CAUTION: The lower attachment screw should be longer than the upper screw.



Hold the lock into position, the rear face and the neoprene flanges on the door with the square into position.

Screw all the elements starting by the upper screws.

E) Fixing the Strike Plate

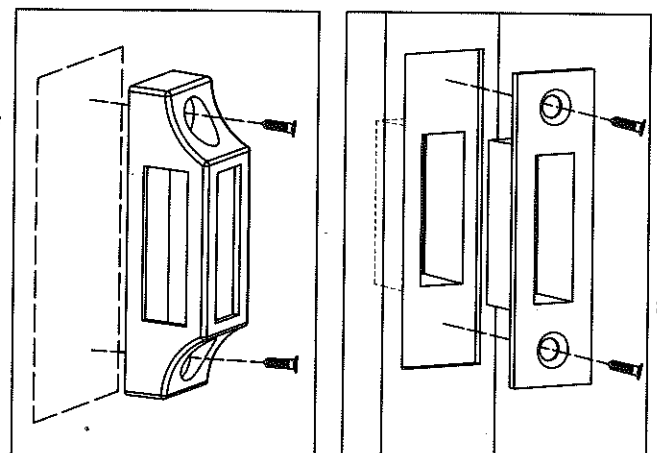
The strike plate must be positioned in a way that only the flat section of the latch bolt can enter but the deadbolt.

Once the correct position determined, draw a contour and use this mark to make a 1mm rebate to fit flush mounting. The strike must be aligned with the frame otherwise readjust with the drilling machine and/or a chisel in order to install the bolt.

Ensure the deadbolt must stop on the strike to maintain it's anti-burglar function when the door is locked.

If necessary, drill or cut a recess for the latch bolt.

Fix the Strike Plate with one screw first, test the lock to see if it works properly and proceed to possible adjustments if necessary. Now, you can fix the strike completely.



Surface-mounted strike

Flush-mounted strike